

AXLE TYPES

4000-5200 lbs. capacity

- Complete service manual
- Precision machined steel spindles and integral cast iron hub/drums
- Press-in wheel studs
- 12 x 2" CSA approved electric brakes
- 12 x 2" hydraulic brakes
- Electric and hydraulic brakes are available with and without parking feature
- Hydraulic free backing brakes available
- Inner wiring system for easier installation and protection of brake wiring
- Standard grease lubrication; E-Z Lube® or Nev-R-Lube™ option

D52 LEAF SPRING



- High strength 3" diameter tube
- Straight or Drop spindles (4" drop only)
- High quality alloy steel springs in a variety of capacities
- Single, tandem or triple axle assemblies with equalized suspensions
- Slipper spring or double eye leaf spring suspension
- Optional hanger and attaching parts kits available
- Durable, wear-resistant components
- 2 year limited warranty



- Totally rubber-cushioned for smooth, quiet independent ride
- Easy installation with less maintenance
- Less transfer of road shock which insulates cargo from road shocks and vibration
- Rubber cords compounded for maximum dependability and durability
- Load-carrying cross member
- Self-damping action
- Independent wheel suspension system
- 5 year limited warranty on suspension system
- Low profile for maximum road clearance
- Various starting angles to control trailer height
- High and low profile brackets with optional mounting brackets available

- Rubber cushioning eliminates metal-to-metal contact
- Shock absorption provided by the natural hysteresis of rubber
- Single or tandem axle assemblies
- Durable, wear-resistant components

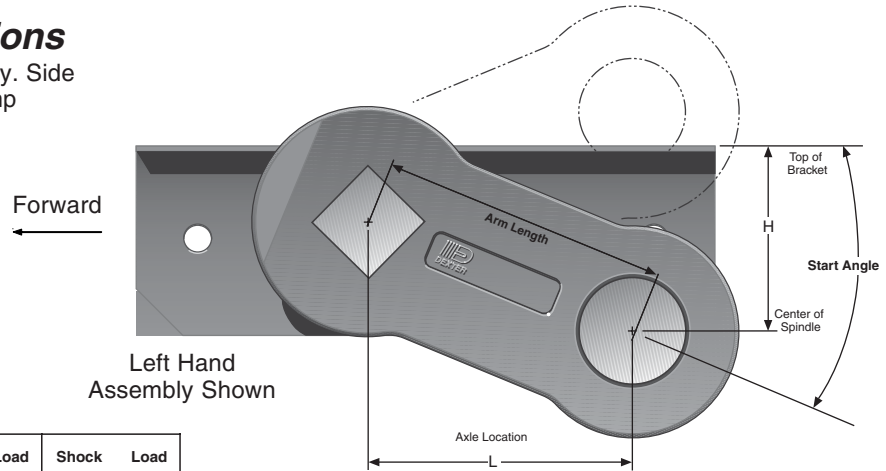
CAUTION:

Triple axle assemblies are NOT recommended for Torflex® axles.



Articulation Dimensions

Dimensions are for top mount only. Side mount is .25 higher. Allow 3" bump clearance from full load.



| Start Angle | Bracket Profile | No Load | | Full Load | | Shock Load | |
|-------------|-----------------|---------|------|-----------|------|------------|------|
| | | H | L | H | L | H | L |
| 45° down | Low | 6.01 | 4.24 | 4.06 | 5.54 | 3.06 | 5.86 |
| | High | 6.76 | 4.24 | 4.81 | 5.54 | 3.81 | 5.86 |
| 22.5° down | Low | 4.06 | 5.54 | 1.77 | 6.00 | 0.72 | 5.91 |
| | High | 4.81 | 5.54 | 2.52 | 6.00 | 1.47 | 5.91 |
| 10° down | Low | 2.81 | 5.91 | 0.47 | 5.86 | -0.53 | 5.54 |
| | High | 3.56 | 5.91 | 1.22 | 5.86 | 0.22 | 5.54 |
| 0° | Low | 1.77 | 6.00 | -0.53 | 5.54 | -1.46 | 5.06 |
| | High | 2.52 | 6.00 | 0.22 | 5.54 | -0.71 | 5.06 |
| 10° up | Low | 0.72 | 5.91 | -1.46 | 5.06 | -2.29 | 4.42 |
| | High | 1.47 | 5.91 | -0.71 | 5.06 | -1.54 | 4.42 |
| 22.5° up | Low | -0.53 | 5.54 | -2.48 | 4.24 | -3.15 | 3.44 |
| | High | 0.22 | 5.54 | -1.73 | 4.24 | -2.40 | 3.44 |

#11 OVERHANG PER SIDE

| Spindle | Min. | Disc* | Max. |
|----------|-------|-------|--------|
| Short | 7.00" | 7.50" | 10.22" |
| Standard | 7.47" | 7.50" | 10.22" |

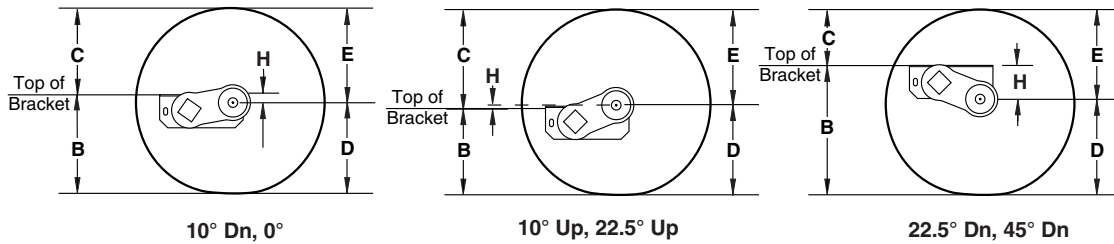
* Minimum overhang with disc brakes

Note: Positive numbers in the H column indicate the spindle is BELOW the top of the bracket. Conversely, negative numbers are ABOVE the top of the bracket.



Full Load Dimensions

Dimensions are for low profile, top mount only. High profile brackets are .75" higher. Side mount is .25" higher. Allow 3" bump clearance from full load.

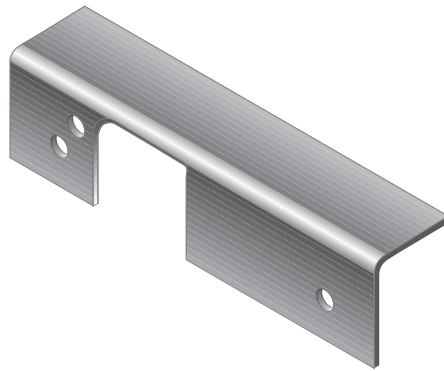
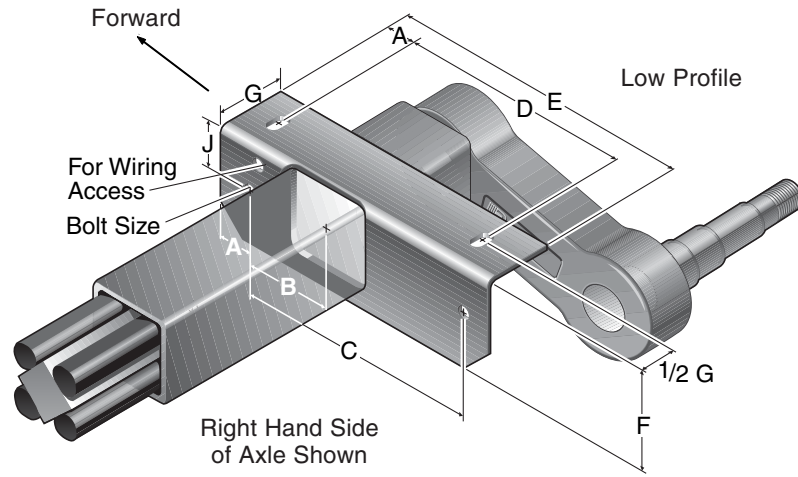


START ANGLE

| Tire | 45° Down | | | 22.5° Down | | | 10° Down | | | 0° | | | 10° Up | | | 22.5° Up | | | D | E |
|-------------|----------|------|------|------------|------|------|----------|------|------|------|------|------|--------|------|------|----------|------|------|------|------|
| | H | B | C | H | B | C | H | B | C | H | B | C | H | B | C | H | B | C | | |
| ST225/75R15 | 4.1 | 17.1 | 10.3 | 1.8 | 14.8 | 12.6 | 0.5 | 13.5 | 13.9 | -0.5 | 12.5 | 14.9 | -1.5 | 11.5 | 15.9 | -2.5 | 10.5 | 16.9 | 13.0 | 14.4 |
| LT235/85R16 | 4.1 | 18.4 | 11.3 | 1.8 | 16.1 | 13.6 | 0.5 | 14.8 | 14.9 | -0.5 | 13.8 | 15.9 | -1.5 | 12.8 | 16.9 | -2.5 | 11.8 | 17.9 | 14.3 | 15.4 |
| LT225/75R16 | 4.1 | 17.6 | 10.8 | 1.8 | 15.3 | 13.1 | 0.5 | 14.0 | 14.4 | -0.5 | 13.0 | 15.4 | -1.5 | 12.0 | 16.4 | -2.5 | 11.0 | 17.4 | 13.5 | 14.9 |
| 8.75R16.5LT | 4.1 | 17.9 | 10.7 | 1.8 | 15.6 | 13.0 | 0.5 | 14.3 | 14.3 | -0.5 | 13.3 | 15.3 | -1.5 | 12.3 | 16.3 | -2.5 | 11.3 | 17.3 | 13.8 | 14.8 |

4000 - 6000 LBS. CAPACITY

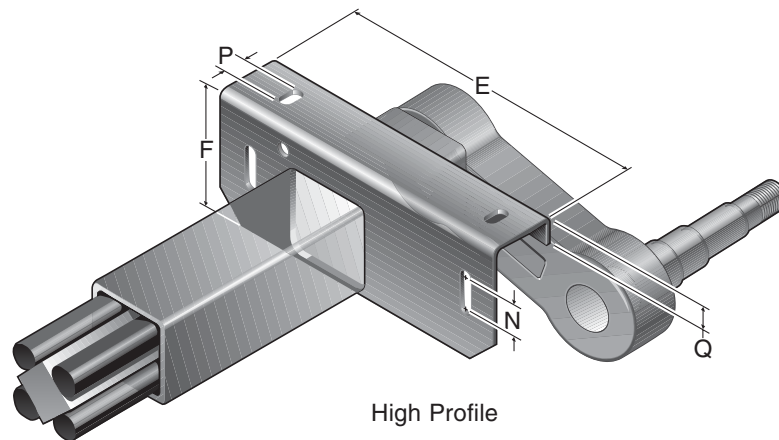
11 Bracket Dimensions



Side Mount Hanger

#11 BRACKET DIMENSIONS

| | Low | High |
|--|-------|-------|
| A | .75 | 1.25 |
| B | 3.50 | 3.50 |
| C | 9.50 | 9.50 |
| D | 9.00 | 9.00 |
| E | 11.00 | 12.00 |
| F | 3.91 | 4.66 |
| G | 2.50 | 2.50 |
| J | 1.83 | 1.83 |
| N | ---- | 1.03 |
| P | ---- | 1.00 |
| Q | ---- | 1.00 |
| Bolt Size ⁵ / ₈ " bolt | | |
| Tube Size | | |
| | 3.03 | 3.03 |



DEXTER AXLE

LEAF SPRING APPLICATION INFORMATION

DOUBLE EYE SPRINGS

For standard 33" axle spacing
Single A/P-122-00
Tandem A/P-233-00
Triple A/P-335-00
 Spring Length

| | 21" | 24" | 26" |
|---|-------|-------|-------|
| A | 19.62 | 23.50 | 25.75 |
| B | 25.00 | 27.50 | 29.50 |
| C | 28.75 | 31.00 | 33.00 |
| D | 10.62 | 12.00 | 13.00 |
| E | 28.75 | 31.00 | 33.00 |

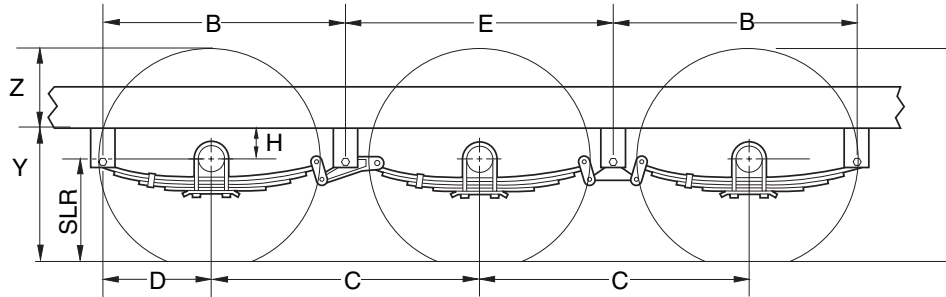
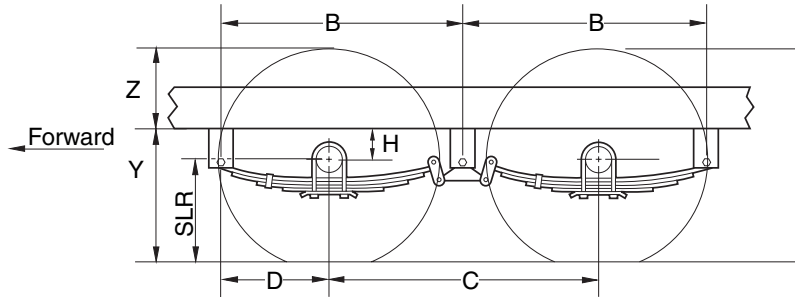
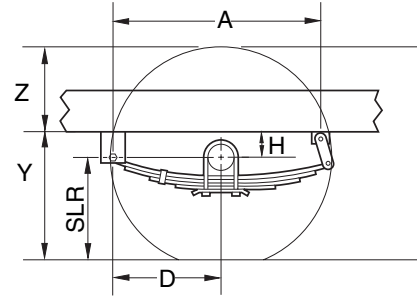
For optional 35" axle spacing
Tandem A/P-264-00
Triple A/P-364-00
 Spring Length

| | 21" | 24" | 26" |
|---|-------|-------|-------|
| B | 26.00 | 28.50 | 30.50 |
| C | 30.80 | 33.00 | 35.00 |
| D | 10.62 | 12.00 | 13.00 |
| E | 30.80 | 33.00 | 35.00 |

D52 OVERHANG PER SIDE

| | Min. | Disc.* | Max. |
|---------------|-------|--------|-------|
| Straight | 6.63" | 9.00" | 9.50" |
| 4" Drop-Short | 7.87" | 9.00" | 9.50" |
| 4" Drop | 8.25" | 9.00" | 9.50" |
| Nev-R-Lube™ | 6.19" | 9.00" | 9.50" |

* Minimum overhang with disc brakes



DOUBLE EYE AXLE ASSEMBLIES

Hanger Kits

| Part No. | Description | Ht. | Quantity Per Kit | | | | |
|------------|---------------|-------|------------------|------------|------------|------------|------------|
| | | | HGR-104-00 | HGR-105-00 | HGR-248-00 | HGR-249-00 | HGR-348-00 |
| 028-005-00 | Hanger | 3.25" | 2 | ---- | 4 | 2 | 4 |
| 028-006-00 | Front Hanger | 1.44" | ---- | 2 | ---- | ---- | ---- |
| 029-008-00 | Front Hanger | 2.06" | ---- | ---- | ---- | 4 | ---- |
| 029-031-00 | Center Hanger | 3.62" | ---- | ---- | 2 | ---- | 4 |
| 030-020-00 | Rear Hanger | .91" | 2 | 2 | ---- | ---- | ---- |

Attaching Parts Kit

| Part No. | Description | Quantity Per Kit | | | | |
|------------|--------------------------|------------------|------------|-------------|------------|-------------|
| | | A/P-122-00 | A/P-233-00 | A/P-264-00† | A/P-335-00 | A/P-364-00† |
| 006-092-01 | Flange Locknut | 6 | 14 | 14 | 22 | 22 |
| 007-126-00 | Shackle Bolt | 2 | 6 | 6 | 10 | 10 |
| 013-104-02 | Equalizer | ---- | 2 | ---- | 2 | ---- |
| 013-105-02 | Equalizer | ---- | ---- | ---- | 2 | ---- |
| 013-122-02 | Equalizer | ---- | ---- | 2 | ---- | 2 |
| 013-126-02 | Equalizer | ---- | ---- | ---- | ---- | 2 |
| 018-011-00 | Shackle Link | ---- | 4 | 4 | 6 | 6 |
| 018-012-00 | Shackle Link, Long | 2 | ---- | ---- | ---- | ---- |
| 018-020-00 | Shackle Link Assy. | ---- | 4 | 4 | 6 | 6 |
| 018-021-00 | Shackle Link Assy., Long | 2 | ---- | ---- | ---- | ---- |

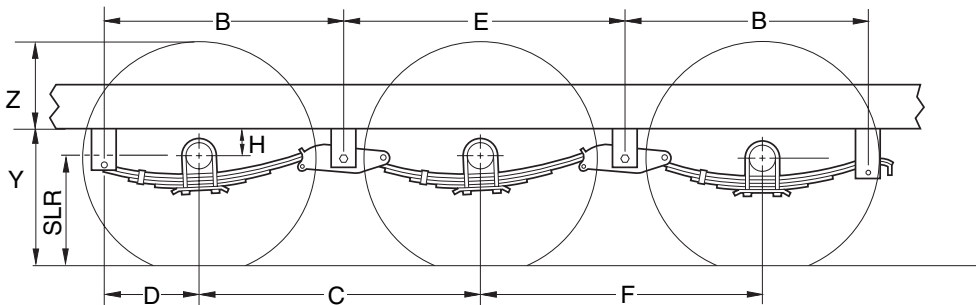
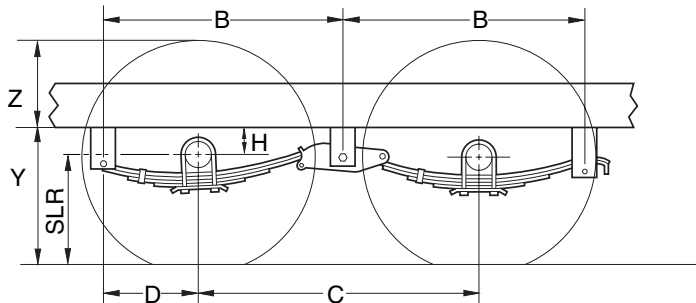
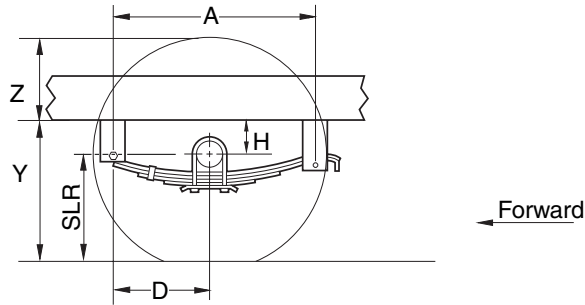
† For 35" axle spacing with 26" springs

4000 - 6000 LBS. CAPACITY

DEXTER AXLE

LEAF SPRING APPLICATION INFORMATION

4000 - 6000 LBS. CAPACITY



SLIPPER SPRINGS

| | Single | Tandem | | Triple | |
|---|------------|-------------|-------------|-------------|-------------|
| | A/P-103-00 | A/P-202-00§ | A/P-216-00‡ | A/P-302-00§ | A/P-316-00‡ |
| A | 24.0 | ---- | ---- | ---- | ---- |
| B | ---- | 28.8 | 30.4 | 28.8 | 30.4 |
| C | ---- | 33.5 | 36.0 | 33.5 | 36.0 |
| D | 11.5 | 11.5 | 11.5 | 11.5 | 11.5 |
| E | ---- | ---- | ---- | 33.0 | 35.0 |
| F | ---- | ---- | ---- | 33.0 | 35.0 |

Note: All 2" Wide Slipper Springs
 § For 33.5" axle spacing ‡ For 36" axle spacing

A, B, E - Hanger Spacing
 C - Axle Spacing
 D - Axle Location
 H - Center of Spindle
 Y - Frame Height
 Z - Top of Tire to Bottom of Frame
 SLR - Static Load Radius
 Contact your local sales engineer or distributor to run ProSpec™ to determine H, Y, Z, SLR.

SLIPPER SPRING AXLE ASSEMBLIES

Hanger Kits

| Part No. | Description | Ht. | Quantity Per Kit | | |
|------------|---------------|-------|------------------|------------|------------|
| | | | HGR-110-00 | HGR-202-00 | HGR-302-00 |
| 028-001-00 | Front Hanger | 4.25" | 2 | 2 | 2 |
| 029-001-00 | Center Hanger | 3.50" | ---- | 2 | 4 |
| 030-028-00 | Rear Hanger | 4.00" | 2 | 2 | 2 |

Attaching Parts Kit

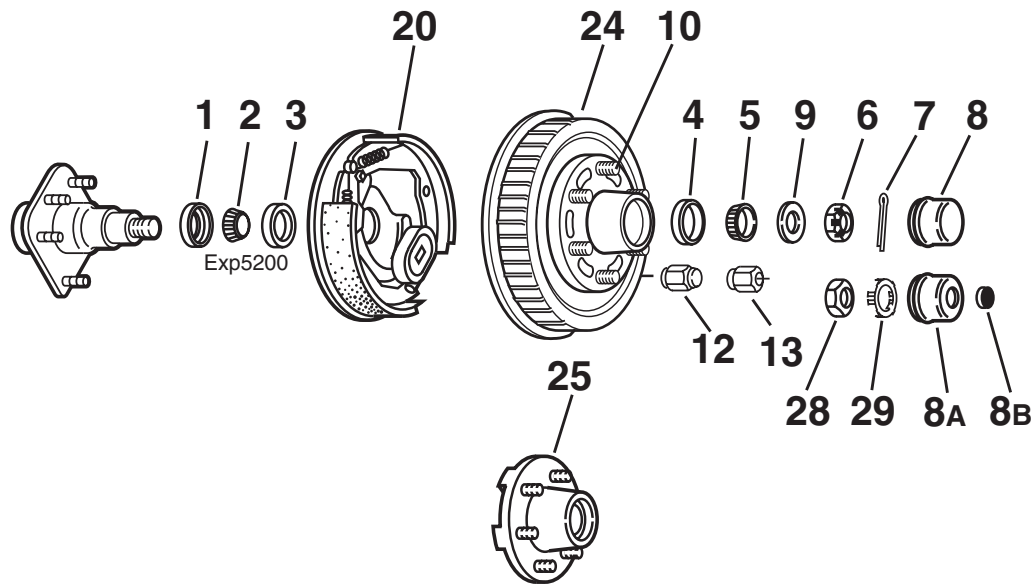
| Part No. | Description | A/P-103-00 | A/P-202-00§ | A/P-216-00‡ | A/P-302-00§ | A/P-316-00‡ |
|------------|------------------|------------|-------------|-------------|-------------|-------------|
| 006-007-01 | 9/16"-18 Locknut | 2 | 4 | 4 | 6 | 6 |
| 006-011-00 | Keeper Nut | 2 | 4 | 4 | 6 | 6 |
| 006-111-00 | Equalizer Nut | ---- | 2 | 2 | 4 | 4 |
| 007-001-01 | Equalizer Bolt | ---- | 2 | 2 | 4 | 4 |
| 007-007-00 | Keeper Bolt | 2 | 4 | 4 | 6 | 6 |
| 007-017-00 | Spring Eye Bolt | 2 | 4 | 4 | 6 | 6 |
| 013-004-00 | Equalizer | ---- | 2 | ---- | 4 | ---- |
| 013-044-01 | Equalizer | ---- | ---- | 2 | ---- | 4 |

§ For 33.5" axle spacing

‡ For 36" axle spacing

Some combinations of hangers and spring mounting may result in insufficient bump clearance. For additional Hanger kits, AP kits or other tires, refer to pages 85-87.

DEXTER AXLE



GREASE LUBE PARTS

| Item | Part No. | Description |
|------|------------|---|
| 1 | 010-036-00 | Grease Seal, E-Z Lube® Seal |
| | 010-063-00 | Oil Seal |
| | 010-054-00 | 2.250" Grease Seal |
| 2 | 031-030-02 | 25580 Inner Bearing Cone |
| 3 | 031-030-01 | 25520 Inner Bearing Cup |
| 4 | 031-032-01 | LM67010 Outer Bearing Cup (for 5200#) |
| 5 | 031-032-02 | LM67048 Outer Bearing Cone (for 5200#) |
| 4 | 031-029-01 | 15245 Outer Bearing Cup (for 6000#) |
| 5 | 031-029-02 | 15123 Outer Bearing Cone (for 6000#) |
| 6 | 006-001-00 | Spindle Nut |
| 7 | 019-002-00 | Cotter Pin (not used w/E-Z Lube®) |
| 8 | 021-001-00 | Grease Cap |
| 8A | 021-042-01 | Grease Cap for E-Z Lube® |
| 8B | 085-001-00 | Rubber Plug for E-Z Lube® |
| 9 | 005-023-00 | Spindle Washer |
| 28 | 006-191-00 | Special Jam Nut for E-Z Lube® (after 2002) |
| 29 | 006-190-00 | Spindle Nut Retainer for E-Z Lube® (after 2002) |

12 X 2 BRAKES

| Item | Part No. | Description |
|------|-----------------------|--|
| 20 | K23-105-00/K23-106-00 | LH/RH DXQ Electric |
| ns | K23-112-00/K23-113-00 | LH/RH DXQ Electric w/park |
| ns | K23-326-00/K23-327-00 | LH/RH Electric 6K CSA |
| ns | K23-328-00/K23-329-00 | LH/RH Electric 6K CSA w/park |
| ns | K23-324-00/K23-325-00 | LH/RH Hyd. Uni-servo |
| ns | K23-320-00/K23-321-00 | LH/RH Hyd. Uni-servo w/park |
| ns | K23-322-00/K23-323-00 | LH/RH Hyd. Duo-servo |
| ns | K23-318-00/K23-319-00 | LH/RH Hyd. Duo-servo w/park |
| ns | K23-342-00/K23-343-00 | LH/RH Hyd. Free Backing |
| ns | K23-340-00/K23-341-00 | LH/RH Hyd. Free Backing w/park |
| ns | K23-342-01/K23-343-01 | LH/RH Hyd. FB Corrosion Resistant |
| ns | K23-340-01/K23-341-01 | LH/RH Hyd. FB Corrosion Resistant w/park |

ns - not shown

HUBS

| Item | Part No. | Description | Bolt Circle |
|-----------------------|------------|---------------------------------|-------------|
| <i>Hubs and Drums</i> | | | |
| 24 | 008-201-05 | ½" Stud for 5200# | 6 on 5.50 |
| 24 | 008-201-09 | ½" Stud 15123 bearing for 6000# | 6 on 5.50 |
| <i>Plain Hubs</i> | | | |
| 25 | 008-213-05 | ½" Stud for 5200# | 6 on 5.50 |
| 25 | 008-213-09 | ½" Stud 15123 bearing for 6000# | 6 on 5.50 |

STUDS & WHEEL NUTS

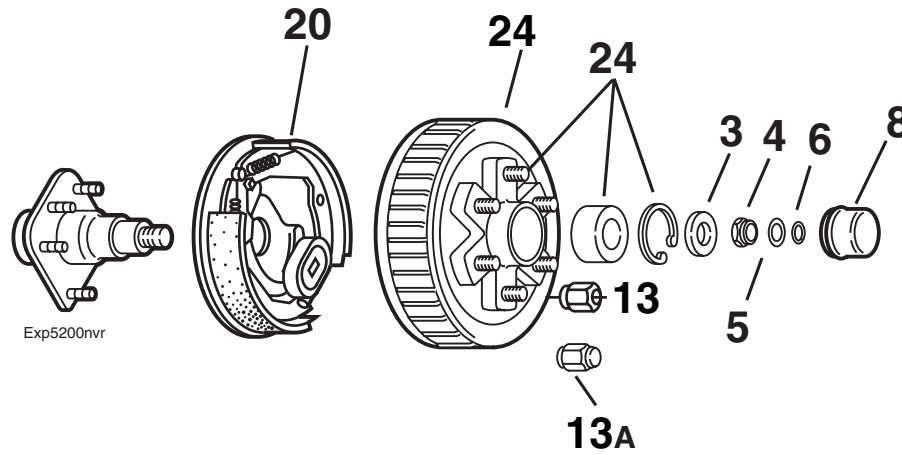
| Item | Part No. | Description |
|------|------------|--|
| 10 | 007-122-00 | ½-20 x 1.84 Long Press-in Stud* (hubs prior to 1/04) |
| 10 | 007-262-00 | ½-20 x 2.50 Long Press-in Stud* (hubs after 1/04) |
| 12 | 006-098-00 | ½-20 Stainless Steel Capped Wheel Nuts |
| 13 | 006-080-00 | ½-20 60° Cone Nut |

* Stud length measured under head to end of stud.

Note: 8 on 6.5 hubs are available on these axles. See section in 5500-7000 lbs. capacity.

655 NEV-R-LUBE™ HUB GROUP

4000 - 6000 LBS. CAPACITY



NEV-R-LUBE™ PARTS 42MM & 50MM

| Item | Part No. | Description |
|------|------------|----------------------|
| 3 | 005-147-01 | Spindle Washer, 42mm |
| 4 | 006-183-00 | Spindle Nut |
| 5 | 092-002-00 | Washer, Torque Label |
| 6 | 069-096-00 | Snap Ring |
| 8 | 021-085-00 | Hub Cap, 42mm |

HUBS WITH BEARING AND WHEEL STUDS

| Item | Part No. | Description | Bolt Circle |
|------|------------|--|-------------|
| 24 | 008-388-80 | Hub & Drum includes: 007-122-00 1/2-20 Press-in Studs 031-073-03 42mm Bearing Cartridge 069-095-00 Bearing Retainer | 6 on 5.50 |

12 X 2 BRAKES

| Item | Part No. | Description |
|------|-----------------------|------------------------------------|
| 20 | K23-105-00/K23-106-00 | LH/RH DXQ Electric, 6K |
| ns | K23-112-00/K23-113-00 | LH/RH DXQ Electric w/park, 6K |
| ns | K23-324-00/K23-325-00 | LH/RH Hyd. Uni-servo, 5.2K |
| ns | K23-320-00/K23-321-00 | LH/RH Hyd. Uni-servo w/park, 5.2K |
| ns | K23-322-00/K23-323-00 | LH/RH Hyd. Duo-servo, 5.2K |
| ns | K23-318-00/K23-319-00 | LH/RH Hyd. Duo-servo w/park, 5.2K |
| ns | K23-338-00/K23-339-00 | LH/RH Hyd. Uni-servo, 7K |
| ns | K23-334-00/K23-335-00 | LH/RH Hyd. Uni-servo w/park, 7K |
| ns | K23-336-00/K23-337-00 | LH/RH Hyd. Duo-servo, 7K |
| ns | K23-332-00/K23-333-00 | LH/RH Hyd. Duo-servo w/park, 7K |
| ns | K23-342-00/K23-343-00 | LH/RH Hyd. Free Backing, 7K |
| ns | K23-340-00/K23-341-00 | LH/RH Hyd. Free Backing w/park, 7K |

ns - not shown

WHEEL NUTS

| Item | Part No. | Description |
|------|------------|---|
| 13A | 006-098-00 | 1/2-20 Stainless Steel Capped Wheel Nut |
| 13 | 006-080-00 | 1/2-20 60° Cone Nut |

Note: 8 on 6.5 Nev-R-Lube™ hubs are available on these axles. See section in 5500-7000 lbs. capacity.

DEXTER AXLE



Nev-R-Lube Features

- No Need to repack the bearings
- No more inner and outer bearings
- Lower maintenance cost
- Pre-lubricated at the bearing factory
- Resistant to contamination
- Sealed for life, no bearing maintenance
- Increased durability and reliability
- No replacing seals when checking brakes
- Pre-set adjustment allows for easy installation
- Human error is virtually eliminated in bearing adjustment
- Five-year or 100,000 mile limited warranty



What is Nev-R-Lube?

Dexter's Nev-R-Lube™ bearings are comprised of opposed tapered roller bearing cones sealed inside of a precision ground, one piece double cup arrangement. These bearings are designed with a small amount of axial end play. The end play is essential to the longevity of the bearing's service life.

Nev-R-Lube Availability

42mm Cartridge: For use on D52 and D60 leaf spring (straight spindles only) axles and #11 & #12 Torflex® axles up to 6,000 lbs. These axles are equipped with 6 on 5.50" bolt circle hub-drums and 12" x 2" brakes. Use only zero offset wheels on these axles.

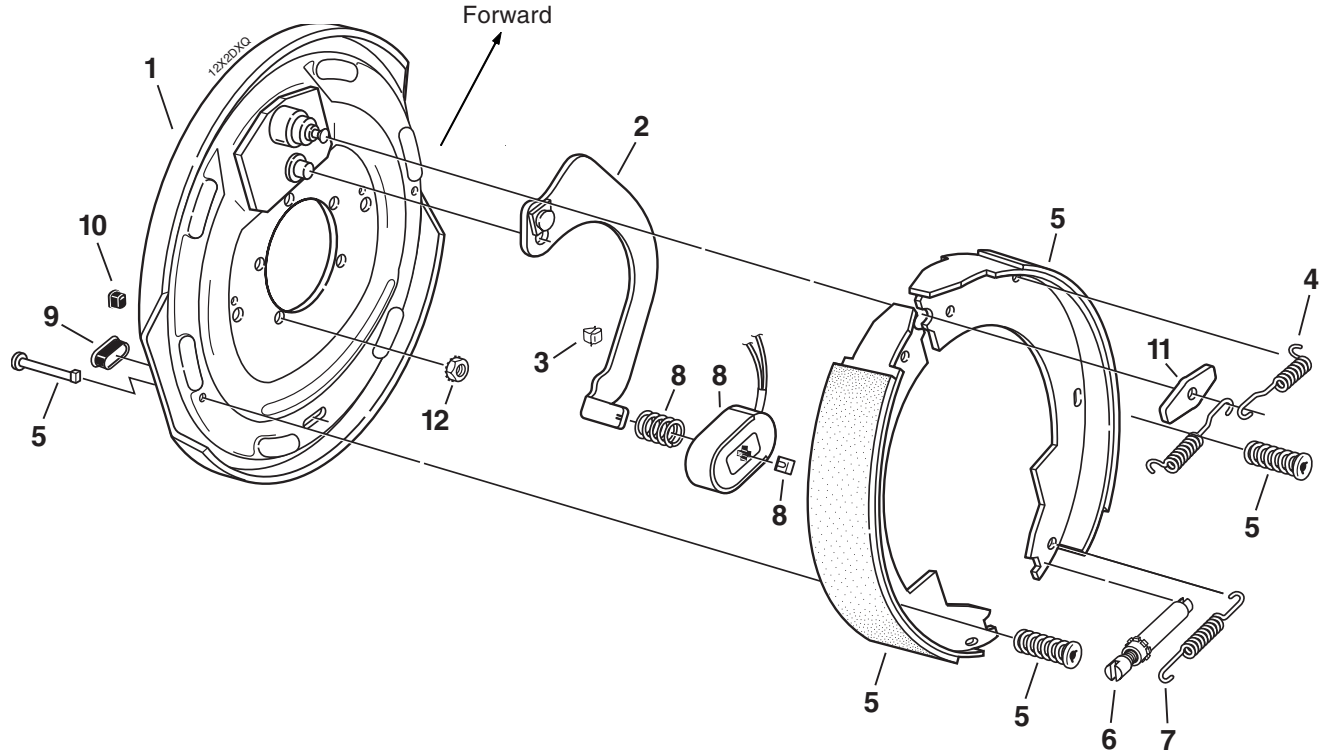
50mm Cartridge: For use on D70 and D80 leaf spring axles and #12 & #13 Torflex® axles up to 8,000 lbs. These axles are equipped with 8 on 6.50" bolt circle hub-drums and 12" x 2" or 12-1/4" x 3-3/8" brakes. Can be used with zero to 1/2" inset wheels at 7,000 lbs. ratings. Zero offset or .19 inset only at 8,000 lbs. capacity.



Demand Better. Demand Dexter.

12x2" ELECTRIC BRAKE

4000 - 6000 LBS. CAPACITY



DXQ ELECTRIC BRAKE 6000# (CSA 5200#)

| Item | Part No. | Qty/Brk | Description |
|------|------------|---------|---|
| 0 | K23-105-00 | 1 | LH Complete Brake Assembly |
| 0 | K23-106-00 | 1 | RH Complete Brake Assembly (shown) |
| 1 | 036-089-05 | 1 | Backing Plate Assembly |
| 2 | 047-107-05 | 1 | LH Actuating Lever Arm Assembly |
| 2 | 047-108-05 | 1 | RH Actuating Lever Arm Assembly |
| 3 | 027-005-00 | 2 | Wire Clip |
| 4 | 046-009-00 | 2 | Retractor Spring |
| 5 | K71-048-00 | 1 | Shoe and Lining Kit containing: 1 #040-044-00 Primary S&L 1 #040-045-00 Secondary S&L 2 #049-011-00 Shoe Hold Down Pin #2 2 #046-077-00 Shoe Hold Down Spring & Cup |
| 6 | 043-004-00 | 1 | Adjuster Assembly |
| 7 | 046-018-00 | 1 | Adjusting Screw Spring |
| 8 | K71-105-00 | 1 | Magnet Kit containing: 1 #042-099-01 Magnet (white wire) 1 #027-009-00 Magnet Clip 1 #046-080-00 Magnet Spring |
| 9 | 046-007-00 | 1 | Adjuster Slot Plug |
| 10 | 046-016-00 | 1 | Wire Grommet |
| 11 | 005-067-00 | 1 | Anchor Post Washer |
| *12 | 006-193-00 | 5 | Nut Washer Assembly |

* Not included with complete brake assembly. Items sold separately.

ELECTRIC BRAKE 6000# (CSA 6000#)

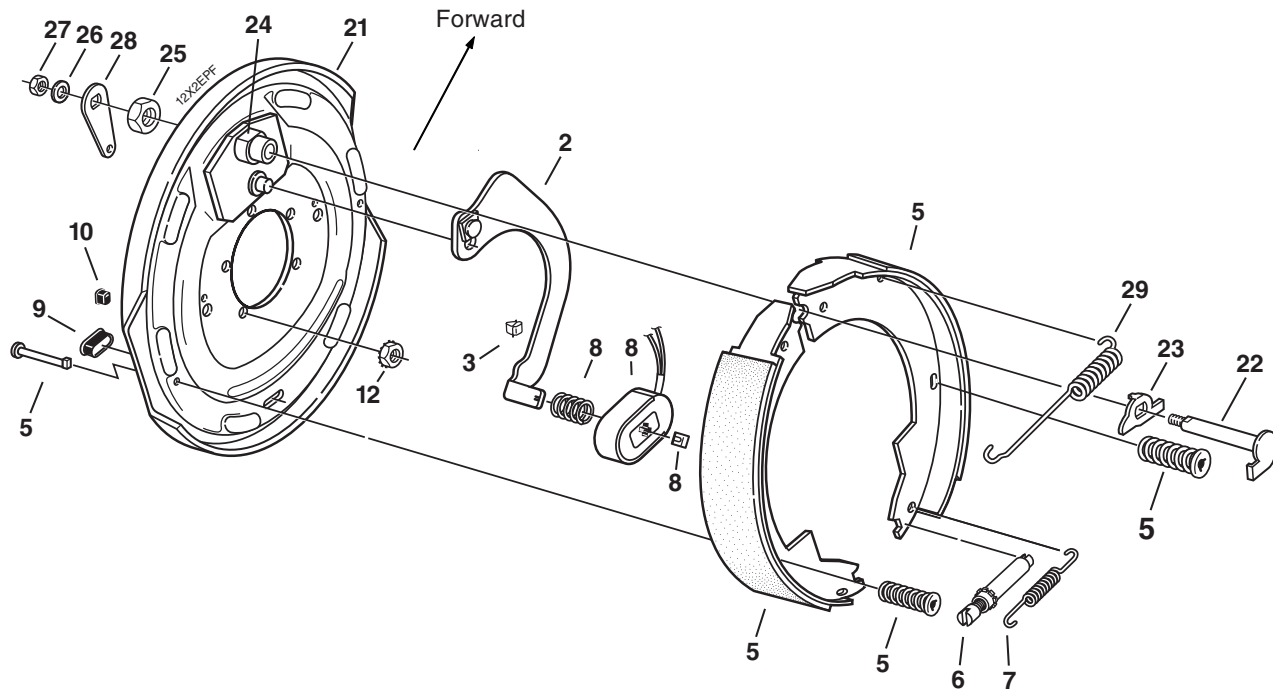
| Item | Part No. | Qty/Brk | Description |
|------|------------|---------|---|
| 0 | K23-326-00 | 1 | LH Complete Brake Assembly |
| 0 | K23-327-00 | 1 | RH Complete Brake Assembly |
| 1 | 036-089-05 | 1 | Backing Plate Assembly |
| 2 | 047-107-05 | 1 | LH Actuating Lever Arm Assembly |
| 2 | 047-108-05 | 1 | RH Actuating Lever Arm Assembly |
| 3 | 027-005-00 | 2 | Wire Clip |
| 4 | 046-009-00 | 2 | Retractor Spring |
| 5 | K71-127-00 | 1 | Shoe and Lining Kit containing: 1 #040-215-00 Primary S&L 1 #040-216-00 Secondary S&L 2 #049-011-00 Shoe Hold Down Pin #2 2 #046-077-00 Shoe Hold Down Spring & Cup |
| 6 | 043-004-00 | 1 | Adjuster Assembly |
| 7 | 046-018-00 | 1 | Adjusting Screw Spring |
| 8 | K71-105-00 | 1 | Magnet Kit containing: 1 #042-099-01 Magnet (white wire) 1 #027-009-00 Magnet Clip 1 #046-080-00 Magnet Spring |
| 9 | 046-007-00 | 1 | Adjuster Slot Plug |
| 10 | 046-016-00 | 1 | Wire Grommet |
| 11 | 005-067-00 | 1 | Anchor Post Washer |
| *12 | 006-193-00 | 5 | Nut Washer Assembly |

CSA approved at 6000#/14.2 SLR

DEXTER AXLE

12x2" ELECTRIC BRAKE WITH PARKING FEATURE

4000 - 6000 LBS. CAPACITY



DXQ ELECTRIC PARKING BRAKE 6000# (CSA 5200#)

| Item | Part No. | Qty/Brk | Description |
|------|------------|---------|---|
| 0 | K23-112-00 | 1 | LH Complete Brake Assembly |
| 0 | K23-113-00 | 1 | RH Complete Brake Assembly (shown) |
| 2 | 047-107-05 | 1 | LH Actuating Lever Arm Assembly |
| 2 | 047-108-05 | 1 | RH Actuating Lever Arm Assembly |
| 3 | 027-005-00 | 2 | Wire Clip |
| 5 | K71-048-00 | 1 | Shoe and Lining Kit containing: 1 #040-044-00 Primary S&L 1 #040-045-00 Secondary S&L 2 #049-011-00 Shoe Hold Down Pin #2 2 #046-077-00 Shoe Hold Down Spring & Cup |
| 6 | 043-004-00 | 1 | Adjuster Assembly |
| 7 | 046-018-00 | 1 | Adjusting Screw Spring |
| 8 | K71-105-00 | 1 | Magnet Kit containing: 1 #042-099-01 Magnet (white wire) 1 #027-009-00 Magnet Clip 1 #046-080-00 Magnet Spring |
| 9 | 046-007-00 | 1 | Adjuster Slot Plug |
| 10 | 046-016-00 | 1 | Wire Grommet |
| *12 | 006-193-00 | 5 | Nut Washer Assembly |
| 20 | 036-089-08 | 1 | LH Backing Plate Ass'y Complete (incl. #21-28) |
| 20 | 036-089-09 | 1 | RH Backing Plate Ass'y Complete (incl. #21-28) |
| 21 | 036-089-06 | 1 | LH Backing Plate Ass'y |
| 21 | 036-089-07 | 1 | RH Backing Plate Ass'y |
| 22 | 039-025-00 | 1 | LH Pivot Pin & Cam Sub-Assembly |
| 22 | 039-026-00 | 1 | RH Pivot Pin & Cam Sub-Assembly |
| 23 | 039-048-00 | 1 | LH Actuating Cam |
| 23 | 039-049-00 | 1 | RH Actuating Cam |
| 24 | 038-068-00 | 1 | Anchor Post & Bushing Sub-Assembly |
| 25 | 006-047-00 | 1 | Anchor Post Locknut |
| 26 | 005-041-00 | 1 | Washer |
| 27 | 006-011-00 | 1 | Pivot Pin Locknut |
| 28 | 047-070-00 | 1 | Parking Brake Lever |
| 29 | 046-005-00 | 1 | Retractor Spring |

* Not included with complete brake assembly. Items sold separately.

ELECTRIC PARKING BRAKE 6000# (CSA 6000#)

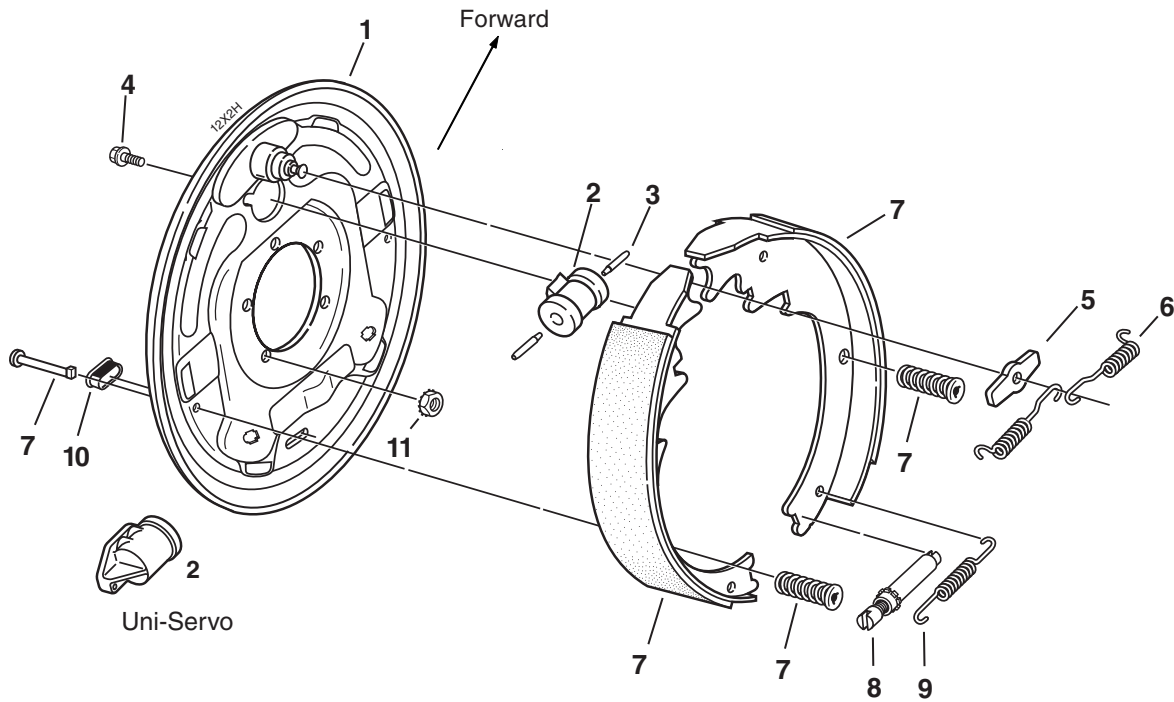
| Item | Part No. | Qty/Brk | Description |
|------|------------|---------|---|
| 0 | K23-328-00 | 1 | LH Complete Brake Assembly |
| 0 | K23-329-00 | 1 | RH Complete Brake Assembly |
| 2 | 047-107-05 | 1 | LH Actuating Lever Arm Assembly |
| 2 | 047-108-05 | 1 | RH Actuating Lever Arm Assembly |
| 3 | 027-005-00 | 2 | Wire Clip |
| 5 | K71-127-00 | 1 | Shoe and Lining Kit containing: 1 #040-215-00 Primary S&L 1 #040-216-00 Secondary S&L 2 #049-011-00 Shoe Hold Down Pin #2 2 #046-077-00 Shoe Hold Down Spring & Cup |
| 6 | 043-004-00 | 1 | Adjuster Assembly |
| 7 | 046-018-00 | 1 | Adjusting Screw Spring |
| 8 | K71-105-00 | 1 | Magnet Kit containing: 1 #042-099-01 Magnet (white wire) 1 #027-009-00 Magnet Clip 1 #046-080-00 Magnet Spring |
| 9 | 046-007-00 | 1 | Adjuster Slot Plug |
| 10 | 046-016-00 | 1 | Wire Grommet |
| *12 | 006-193-00 | 5 | Nut Washer Assembly |
| 20 | 036-089-08 | 1 | LH Backing Plate Ass'y Complete (incl. #21-28) |
| 20 | 036-089-09 | 1 | RH Backing Plate Ass'y Complete (incl. #21-28) |
| 21 | 036-089-06 | 1 | LH Backing Plate Ass'y |
| 21 | 036-089-07 | 1 | RH Backing Plate Ass'y |
| 22 | 039-025-00 | 1 | LH Pivot Pin & Cam Sub-Assembly |
| 22 | 039-026-00 | 1 | RH Pivot Pin & Cam Sub-Assembly |
| 23 | 039-048-00 | 1 | LH Actuating Cam |
| 23 | 039-049-00 | 1 | RH Actuating Cam |
| 24 | 038-068-00 | 1 | Anchor Post & Bushing Sub-Assembly |
| 25 | 006-047-00 | 1 | Anchor Post Locknut |
| 26 | 005-041-00 | 1 | Washer |
| 27 | 006-011-00 | 1 | Pivot Pin Locknut |
| 28 | 047-070-00 | 1 | Parking Brake Lever |
| 29 | 046-005-00 | 1 | Retractor Spring |

CSA approved at 6000#/14.2 SLR

DEXTER AXLE

12x2" HYDRAULIC BRAKE

4000 - 6000 LBS. CAPACITY



Note: Uni-servo brakes to be used with surge actuator

HYDRAULIC BRAKE 5200#

| Item | Part No. | Qty/Brk | Description |
|------|------------|---------|---|
| 0 | K23-322-00 | 1 | LH Brake Assembly Complete-DS |
| 0 | K23-323-00 | 1 | RH Brake Assembly Complete-DS (shown) |
| 0 | K23-324-00 | 1 | LH Brake Assembly Complete-US |
| 0 | K23-325-00 | 1 | RH Brake Assembly Complete-US (shown) |
| 1 | 036-093-03 | 1 | Backing Plate Assembly |
| 2 | 054-062-00 | 1 | LH Brake Cylinder Duo-Servo |
| 2 | 054-063-00 | 1 | RH Brake Cylinder Duo-Servo |
| 2 | 054-064-00 | 1 | LH Brake Cylinder Uni-Servo |
| 2 | 054-065-00 | 1 | RH Brake Cylinder Uni-Servo |
| 3 | 054-060-00 | 1 or 2 | Cylinder Push Rod US (1) DS (2) |
| 4 | 087-001-00 | 2 | Sems (Screw & Washer Assembly) |
| 5 | 005-113-00 | 1 | Anchor Post Washer |
| 6 | 046-101-00 | 2 | Retractor Spring |
| 7 | K71-268-00 | 1 | Shoe and Lining Kit containing: 1 #040-204-00 Primary S&L 1 #040-206-00 Secondary S&L 2 #046-077-00 Shoe Hold Down Spring & Cup 2 #049-012-00 Shoe Hold Down Pin #4 |
| 8 | 043-029-00 | 1 | Adjuster Assembly |
| 9 | 046-102-00 | 1 | Adjusting Screw Spring |
| 10 | 046-007-00 | 1 | Adjuster Slot Plug |
| *11 | 006-193-00 | 5 | Nut Washer Assembly |
| ns | 054-089-00 | 1 | Bleeder Screw (included with item #2) |

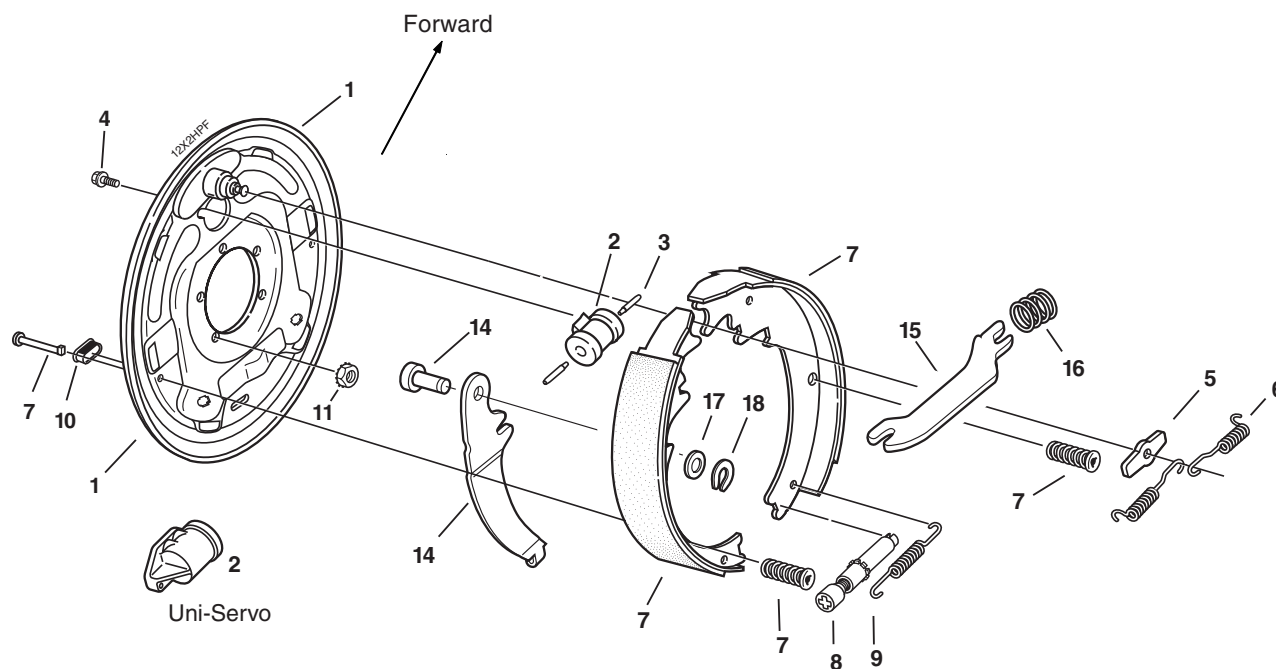
ns - not shown

* Not included with complete brake assembly. Items sold separately.

DEXTER AXLE

12x2" HYDRAULIC BRAKE WITH PARKING FEATURE

4000 - 6000 LBS. CAPACITY



Note: Uni-servo brakes to be used with surge actuator

HYDRAULIC PARKING BRAKE 5200#

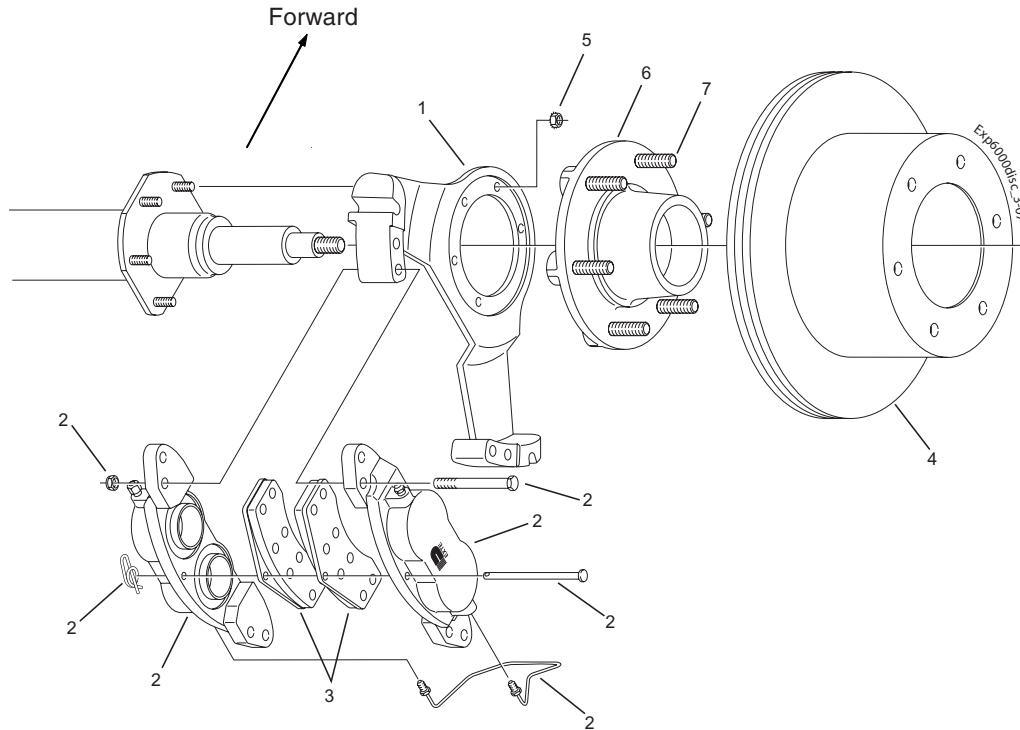
| Item | Part No. | Qty/Brk | Description |
|------|------------|---------|---|
| 0 | K23-318-00 | 1 | LH Brake Assembly Complete-DS |
| 0 | K23-319-00 | 1 | RH Brake Assembly Complete-DS (shown) |
| 0 | K23-320-00 | 1 | LH Brake Assembly Complete-US |
| 0 | K23-321-00 | 1 | RH Brake Assembly Complete-US (shown) |
| 1 | 036-093-19 | 1 | LH Backing Plate Assembly |
| 1 | 036-093-20 | 1 | RH Backing Plate Assembly |
| 2 | 054-062-00 | 1 | LH Brake Cylinder Duo-Servo |
| 2 | 054-063-00 | 1 | RH Brake Cylinder Duo-Servo |
| 2 | 054-064-00 | 1 | LH Brake Cylinder Uni-Servo |
| 2 | 054-065-00 | 1 | RH Brake Cylinder Uni-Servo |
| 3 | 054-060-00 | 1 or 2 | Cylinder Push Rod US (1) DS (2) |
| 4 | 087-001-00 | 2 | Sems (Screw & Washer Assembly) |
| 5 | 005-113-00 | 1 | Anchor Post Washer |
| 6 | 046-101-00 | 2 | Retractor Spring |
| 7 | K71-268-00 | 1 | Shoe and Lining Kit containing: 1 #040-204-00 Primary S&L 1 #040-206-00 Secondary S&L 2 #046-077-00 Shoe Hold Down Spring & Cup 2 #049-012-00 Shoe Hold Down Pin #4 |
| 8 | 043-029-00 | 1 | Adjuster Assembly |
| 9 | 046-102-00 | 1 | Adjusting Screw Spring |
| 10 | 046-007-00 | 1 | Adjuster Slot Plug |
| *11 | 006-193-00 | 5 | Nut Washer Assembly |
| 14 | 047-110-01 | 1 | LH Parking Lever and Pin |
| 14 | 047-111-01 | 1 | RH Parking Lever and Pin |
| 15 | 047-109-00 | 1 | Parking Strut |
| 16 | 046-103-00 | 1 | Parking Strut Spring |
| 17 | 005-112-00 | 1 | Spring Tension Washer |
| 18 | 069-055-00 | 1 | Retainer |
| ns | 054-089-00 | 1 | Bleeder Screw (included with item #2) |
| ns | 071-515-00 | 1 | Park Brake Cable |

ns - not shown

* Not included with complete brake assembly. Items sold separately.

DEXTER AXLE

DISC BRAKE FOR 6,000 LB. AXLES



DISC BRAKE 6000#

| Item | Part No. | Qty/Brk | Description |
|------|--------------|---------|--|
| 1 | 090-005-01 | 1 | Anchor Yoke LH |
| | 090-005-02 | 1 | Anchor Yoke RH (shown) |
| 2 | K71-636-00 | 1 | Caliper Assembly Kit for LH or RH includes: |
| | 2 089-005-02 | | Assembled Caliper Half |
| | 1 054-092-00 | | Bleeder Screw |
| | 1 054-094-00 | | Adapter Fitting |
| | 4 007-254-00 | | Caliper Mounting Bolt |
| | 1 056-038-00 | | Pad Retaining Pin |
| | 4 006-045-00 | | Caliper Mounting Nut |
| | 1 019-019-00 | | Cotter Ring |
| | 1 071-513-00 | | Cross Over Hydraulic Line (yokes without notch) |
| | 1 071-517-00 | | Cross Over Hydraulic Line (yokes with notch) |
| 3 | K71-629-00 | 1 | Brake Pad Kit (axle set) |
| 4 | K71-637-00 | 1 | Rotor Kit |
| 5 | 006-193-00 | 5 | 3/8" Brake Mounting Nut-Washer Assembly |

DISC BRAKE 6000# WITH 42MM NEV-R-LUBE™

| Item | Part No. | Qty/Brk | Description |
|------|--------------|---------|--|
| 1 | 090-006-01 | 1 | Anchor Yoke LH |
| | 090-006-02 | 1 | Anchor Yoke RH |
| 2 | K71-636-00 | 1 | Caliper Assembly Kit for LH or RH includes: |
| | 2 089-005-02 | | Assembled Caliper Half |
| | 1 054-092-00 | | Bleeder Screw |
| | 1 054-094-00 | | Adapter Fitting |
| | 4 007-254-00 | | Caliper Mounting Bolt |
| | 1 056-038-00 | | Pad Retaining Pin |
| | 4 006-045-00 | | Caliper Mounting Nut |
| | 1 019-019-00 | | Cotter Ring |
| | 1 071-513-00 | | Cross Over Hydraulic Line (yokes without notch) |
| | 1 071-517-00 | | Cross Over Hydraulic Line (yokes with notch) |
| 3 | K71-629-00 | 1 | Brake Pad Kit (axle set) |
| 4 | K71-637-00 | 1 | Rotor Kit |
| 5 | 006-193-00 | 5 | 3/8" Brake Mounting Nut-Washer Assembly |

DISC BRAKE HUBS & STUDS

| Item | Part No. | Qty/Brk | Description |
|------|------------|---------|-------------------------------|
| 6 | 008-403-05 | 1 | Grease 1/2" Studs 6 on 5.50 |
| 7 | 007-262-00 | 6 | 1/2"-20 x 2.50" Press-in Stud |

NEV-R-LUBE™ DISC BRAKE HUBS

| Item | Part No. | Qty/Brk | Description |
|------|------------|---------|-------------------------------|
| 6 | 008-404-80 | 1 | 1/2" Studs, 42mm 6 on 5.50 |
| 7 | 007-262-00 | 6 | 1/2"-20 x 2.50" Press-in Stud |